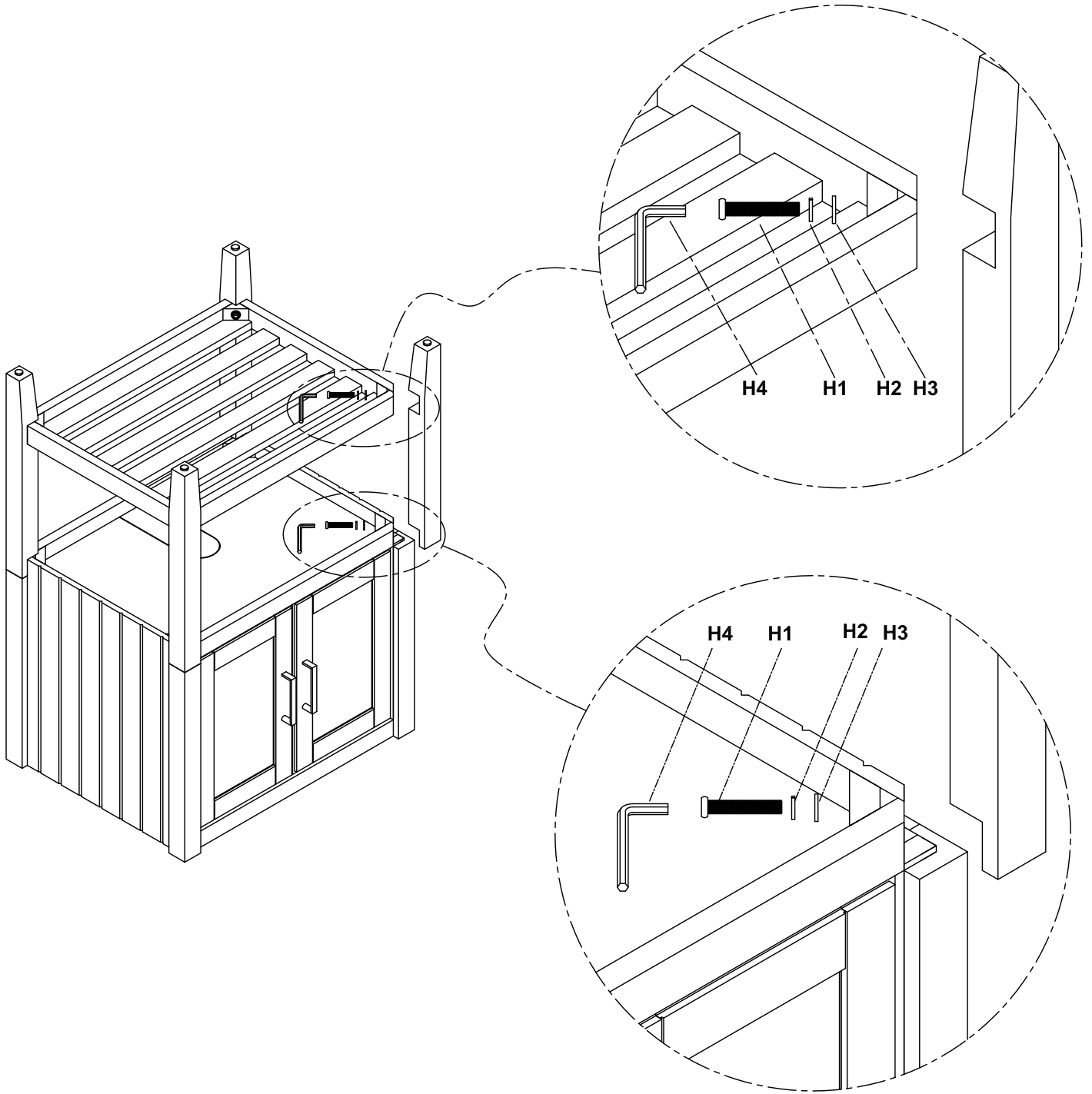


# assembly instructions

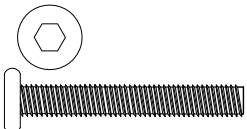
---



## hardware

---

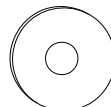
(H1) x 8  
screw



(H2) x 8  
Lock Washer



(H3) x 8  
Flat Washer



(H4) x 1  
allen wrench

